

# ATM Air Conditioning Application

## A-MCT-02



The model **A-MCT-02** is a low-cost cyclic timer that would cycle two air conditioners of two-ton capacity, at predetermined intervals. These field-proven controllers, fitted in the ATM centers, would cycle the air conditioners between duty and standby units at predetermined intervals that are settable between 1 to 12 Hrs. The test mode enables one to verify the function at lower time intervals. A separate terminal to connect the air conditioners from same/different phases is also provided.

### Product Highlights

- Unit Status Indication
- Duty cycle selection from 1 to 12 Hrs
- Auto change over set time
- Run / Test mode
- Capability to connect separate lines
- Power down memory



**Fig.1** ATM Air conditioning controller

### Application

- Bank ATM s
- Server rooms
- Precision laboratories

**Presevi Industries Pvt. Ltd** Chennai, India, established in 1986, is an ODM with DSIR recognized R&D and two factories. The firm designs develop and manufacture highly reliable electronic controllers for appliance industries such as Air conditioning, refrigeration, washing machines, also by covering sectors like energy, hospitality, illumination etc. This 30-year-old firm that possesses cumulative knowledge & expertise, has successfully completed several special innovative Research based product developments, in mechatronics, power electronics, embedded controller development, instrumentation, networking etc. for Indian Railways, ISRO, IGCAR, BSNL, IIT, etc.

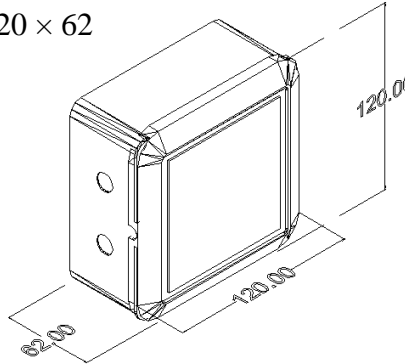
## Product Selection Chart

Model no.	Number of units	Cycling time selection	Under load & overload protection	Under voltage & over voltage protection	Outputs			Temperature indication	Display type
					Unit 1	Unit 2	Alarm		
A-MCT-02	2	1 to 12 hrs	*	*	✓	✓	*	*	LED

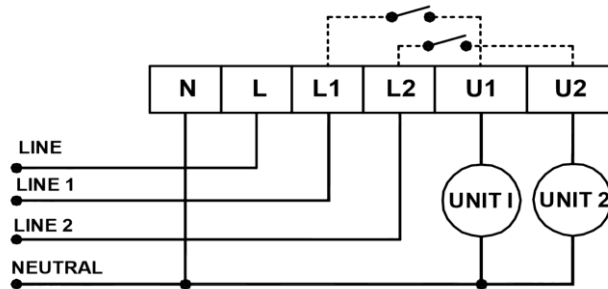
✓ - Provided \* - Not provided

## Mechanical dimensions

L × B × H (in mm) : 120 × 120 × 62



## Electrical Connection diagram



## Electrical specifications

Input Voltage (V AC)			Frequency (Hz)		Power consumption (max)	Unit output relay rating (A)	Alarm relay rating (A)
Min.	Typ	Max.	Min.	Typ			Steady state
180	220	270	45	50	3 VA	25	1

The specifications, designs and information in this brochure are subject to change without notice

#16, Pillaiyar Koil Street, Kanagam, Taramani (PO), Chennai-600 113, INDIA.

Website:- [www.presevi.in](http://www.presevi.in) ✉ [admin@presevi.in](mailto:admin@presevi.in), [marketing@presevi.in](mailto:marketing@presevi.in)

☎ +91 44 22542561/63/64 📠 : +91 44 22542562 📞 +91 9382150289

**AN ISO certified company with DSIR certified R&D**